



1887219

O-Berkshire Curio Cabinet

Parts and Hardware List

A.	Top Assembly	1 pc
B.	Bottom Assembly	1 pc
C.	Left Side Assembly	1 pc
D.	Right Side Assembly	1 pc
E.	Top/Bottom Rails	2 pcs
F.	Middle Rails	2 pcs
G.	Door	1 pc
H.	Back Panel	1 pc
I.	Mirror	1 pc
J.	Adjustable Shelves	3 pcs
K.	Small Shelf	1 pc
L.	Shelf Pins	12 pcs
M.	Handle	1 pc
N.	Allen Head Bolts	8 pcs
O.	Lock Washers	8 pcs
P.	Large Flat Washers	8 pcs
Q.	Connecting Bolts	4 pcs
R.	Eccentric Cams	4 pcs
S.	Plastic Caps	4 pcs
T.	Short Pan Phillips Head Screws	20 pcs
U.	Flat Phillips Head Screws	12 pcs
V.	Phillips Head Bolt	1 pc
W.	Allen Head Wrench	1 pc
X.	Phillips Head Screwdriver	1 pc
Y.	Flat Head Screwdriver	1 pc
Z.	Optional Allen Head Screwdriver Bit	1 pc
ZA.	Belt	1 pc

1887219

O-Berkshire Curio Cabinet

ZB. Long Pan Phillips Head Screw

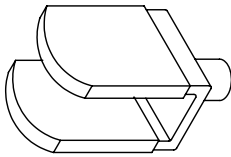
1 pc

ZC. Small Flat Washer

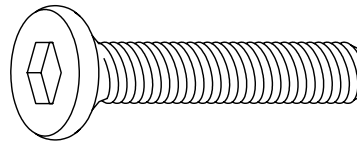
1 pc

- * Please make sure you have all the parts and hardware indicated above before you begin assembly of this item.
- * This item should be assembled on a soft surface to prevent scratching the finish during assembly.
- * This item may require periodic tightening.
- * Take care not to overtighten bolts if using supplied Allen Head Screwdriver Bit.

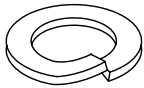
Hardware Illustrations



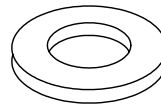
L. Shelf Pin



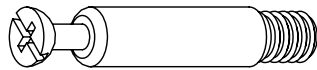
N. Allen Head Bolt



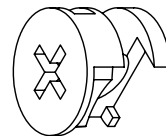
O. Lock Washer



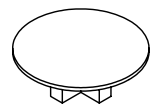
P. Large Flat Washer



Q. Connecting Bolt



R. Eccentric Cam



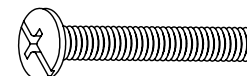
S. Plastic Cap



T. Short Pan Phillips Head Screw



U. Flat Phillips Head Screw



V. Phillips Head Bolt



ZB. Long Pan Phillips Head



ZC. Small Flat Washer

1887219

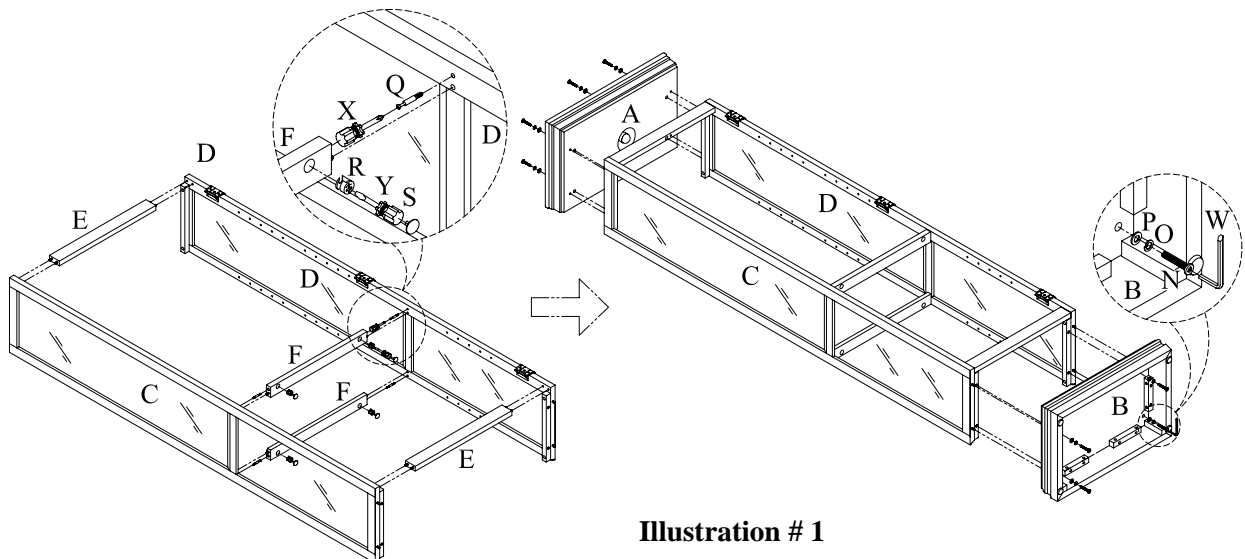
O-Berkshire Curio Cabinet

Attach Left & Right Side Assemblies, Top & Bottom Assemblies

Parts required

A.	Top Assembly	1 pc	P.	Large Flat Washers	8 pcs
B.	Bottom Assembly	1 pc	Q.	Connecting Bolts	4 pcs
C.	Left Side Assembly	1 pc	R.	Eccentric Cams	4 pcs
D.	Right Side Assembly	1 pc	S.	Plastic Caps	4 pcs
E.	Top/Bottom Rails	2 pcs	W.	Allen Head Wrench	1 pc
F.	Middle Rails	2 pcs	X.	Phillips Head Screwdriver	1 pc
N.	Allen Head Bolts	8 pcs	Y.	Flat Head Screwdriver	1 pc
O.	Lock Washers	8 pcs	Z.	Optional Allen Head Screwdriver Bit	1 pc

1. **Attach Connecting Bolts (Q)** Align the exposed threads on the Connecting Bolts (Q) with the pre-threaded holes in Left & Right Side Assemblies (C, D). Tighten by turning in a clockwise direction using the Phillips Head Screwdriver (X). See Illustration #1.
2. **Attach Left Side Assembly (C)** Put the Left Side Assembly (C) on a soft surface. Align the Connecting Bolts (Q) on the Left Side Assembly (C) with the holes in the ends of Middle Rails (F). Be sure the dowels in the ends of Middle Rails (F) are aligned with the pre-drilled holes in the Left Side Assembly (C). Insert the Eccentric Cams (R) into the pre-drilled holes in the Middle Rails (F). Make sure the groove in the Eccentric Cams (R) faces out. Use the Flat Head Screwdriver (Y) to adjust Eccentric Cams (R) and to lock the inserted Connecting Bolts (Q) by turning in a clockwise direction. Cover the Eccentric Cams (R) using Plastic Covers (S). Insert the dowels of Top/Bottom Rails (E) into the pre-drilled holes in the Left Side Assembly (C). See Illustration #1.
3. **Repeat step 2 to attach Right Side Assembly (D).** See Illustration #1.
4. **Attach Bottom Assembly (B)** Insert the dowels in the bottom of Left & Right Side Assemblies (C, D) into the pre-drilled holes in the Bottom Assembly (B) so that the pre-drilled holes in the Bottom Assembly (B) align with the pre-threaded holes in the bottom ends of Left & Right Side Assemblies (C, D). Secure with Allen Head Bolts (N), Lock Washers (O) and Large Flat Washers (P) using Allen Head Tool (W or Z).
5. **Repeat step 4 to attach Top Assembly (A).**



1887219

O-Berkshire Curio Cabinet

Attach Mirror, Back Panel & Door

Parts required

G.	Door	1 pc	T.	Short Pan Phillips Head Screws	20 pcs
H.	Back Panel	1 pc	U.	Flat Phillips Head Screws	12 pcs
I.	Mirror	1 pc	V.	Phillips Head Bolt	1 pc
M.	Handle	1 pc	X.	Phillips Head Screwdriver	1 pc

6. **Attach Mirror (I) & Back Panel (H)** Put the Mirror (I) into the cut out profile at the back of cabinet. Then Cover the Mirror (I) using Back Panel (H). Secure Back Panel (H) using **Short Pan Phillips Head Screws (T)**. See Illustration #2.
7. **Attach Door (G)** Align the pre-drilled holes in the Door (G) with the pre-drilled holes in the hinges of Right Side Assembly (D). Secure with Flat Phillips Head Screws (U) using Phillips Head Screwdriver (X). See Illustration #2.
8. **Attach Handle (M)** Align the pre-threaded hole in the Handle (M) with the pre-drilled hole in the Door (G). Secure with Phillips Head Bolt (V) using Phillips Head Screwdriver (X). See Illustration #2.

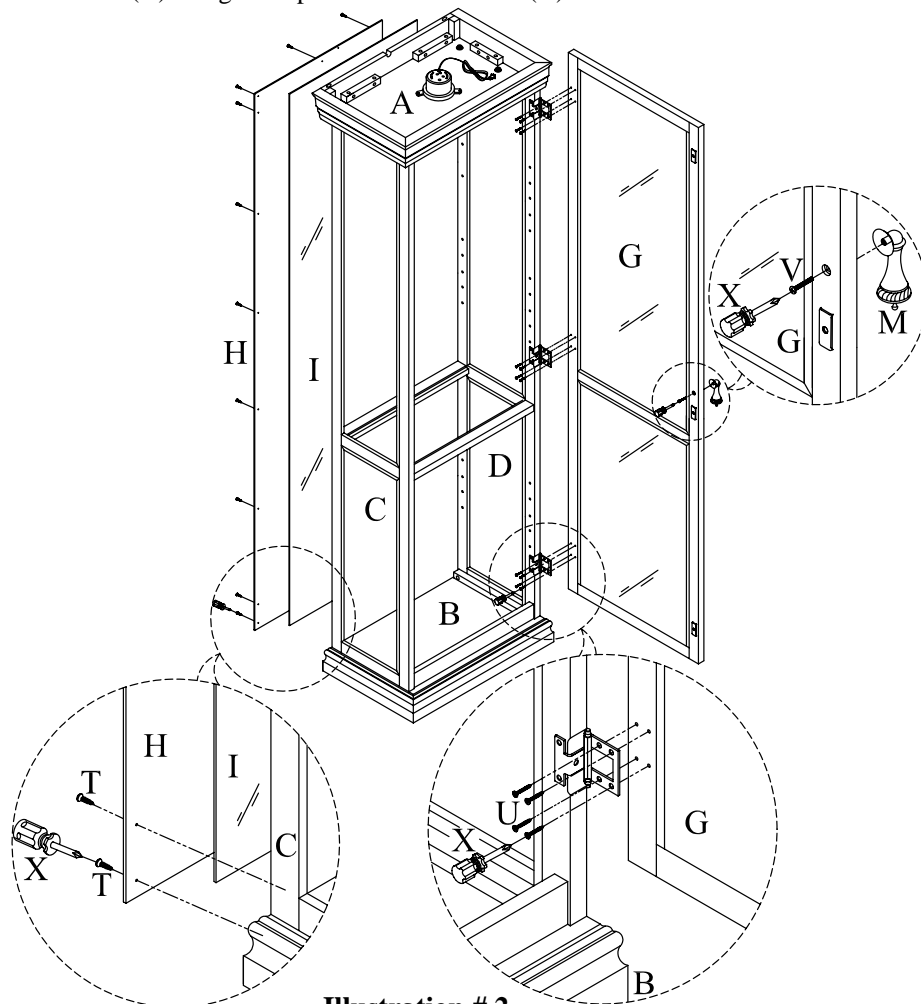


Illustration # 2

1887219

O-Berkshire Curio Cabinet

Attach Shelves & Belt

Parts required

J.	Adjustable Shelves	3 pcs	ZA.	Belt	1 pc
K.	Small Shelf	1 pc	ZB.	Long Pan Phillips Head Screw	1 pc
L.	Shelf Pins	12 pcs	ZC.	Small Flat Washers	1 pc
X.	Phillips Head Screwdriver	1 pc			

9. **Attach Adjustable Shelves (J)** Insert Shelf Pins (L) into the desired pre-drilled holes in the Left & Right Side Assemblies (C, D). Put the Adjustable Shelves (J) on Shelf Pins (L). See Illustration #3.
10. **Attach Small Shelf (K)** Put the Small Shelf (K) onto the grooves of Middle Rails (F). See Illustration #3.
11. **Attach Belt (ZA) to wall** Place the curio in the desired location against the wall. Attach the Belt (ZA) with the hole end to the wall. See note below for attachment hardware. Next, attach the Belt (ZA) to the top of curio with Long Pan Phillips Head Screw (ZB) and Small Flat Washer (ZC) using Phillips Head Screwdriver (X). See Illustration #3.

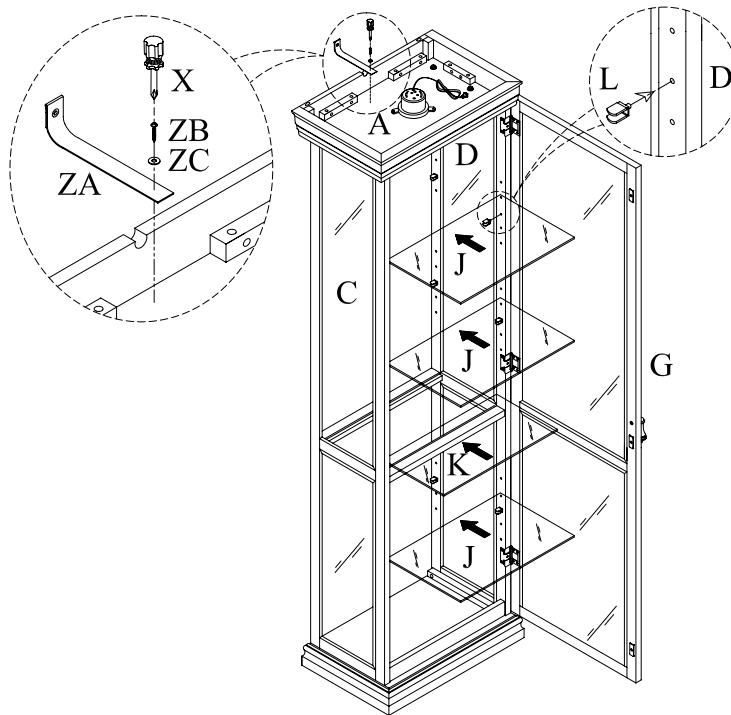


Illustration # 3

Note: Hanging Devices

Hanging hardware will be needed to secure this item to the wall in your home. Due to the many different types of materials used in home construction you will need to choose an appropriate wall fastener to ensure this item is securely hung. Please consult your local hardware specialist in selecting appropriate hardware and determining proper installation procedures based on your particular needs.